



PUMPS AUSTRALIA

BETTER • FASTER • EASIER



VORTEX SUBMERSIBLE PUMP

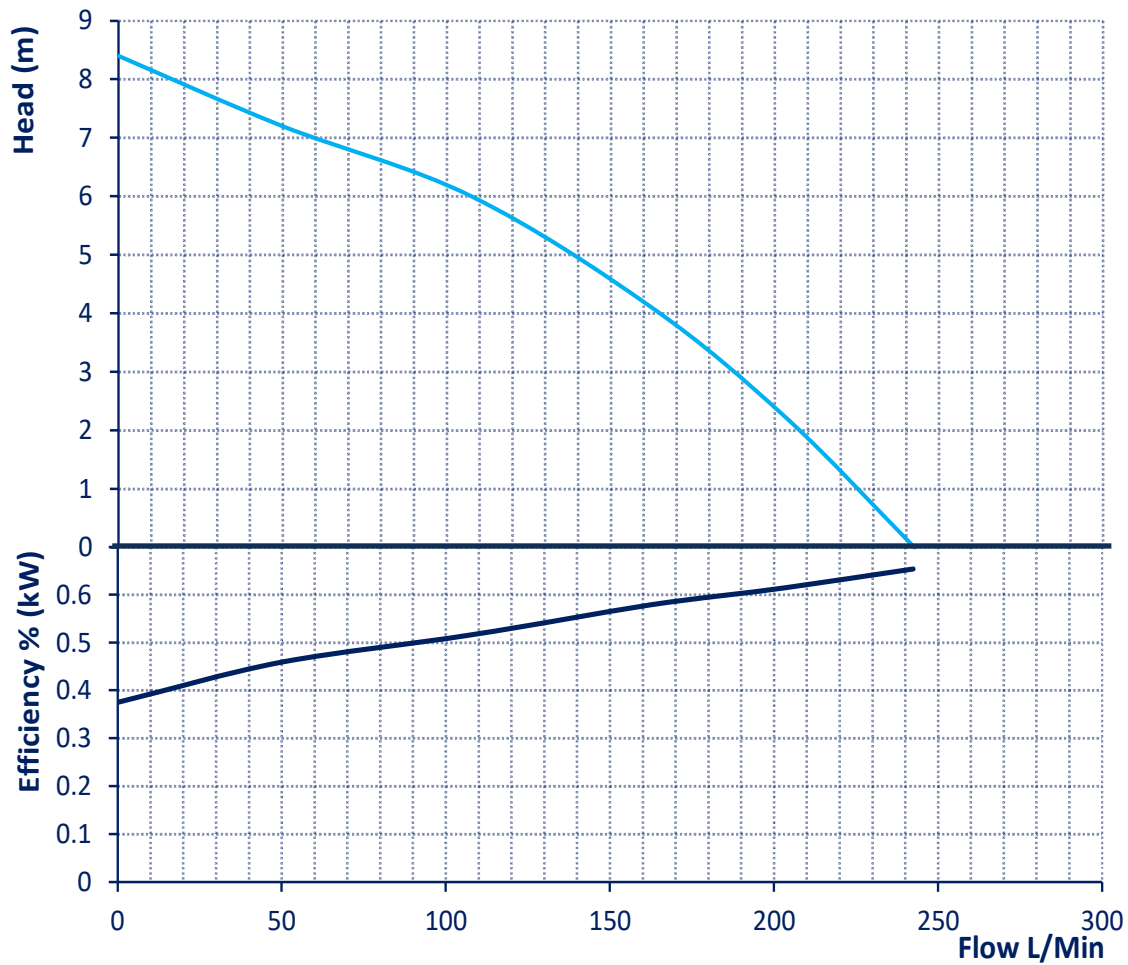
TECHNICAL DATA

MODEL: RVE230
CODE: 20692

MAX HEAD 8.4M
MAX FLOW 230L/min
MOTOR POWER 650W
DISCHARGE 32mm



CHARACTERISTIC CURVE & PERFORMANCE DATA

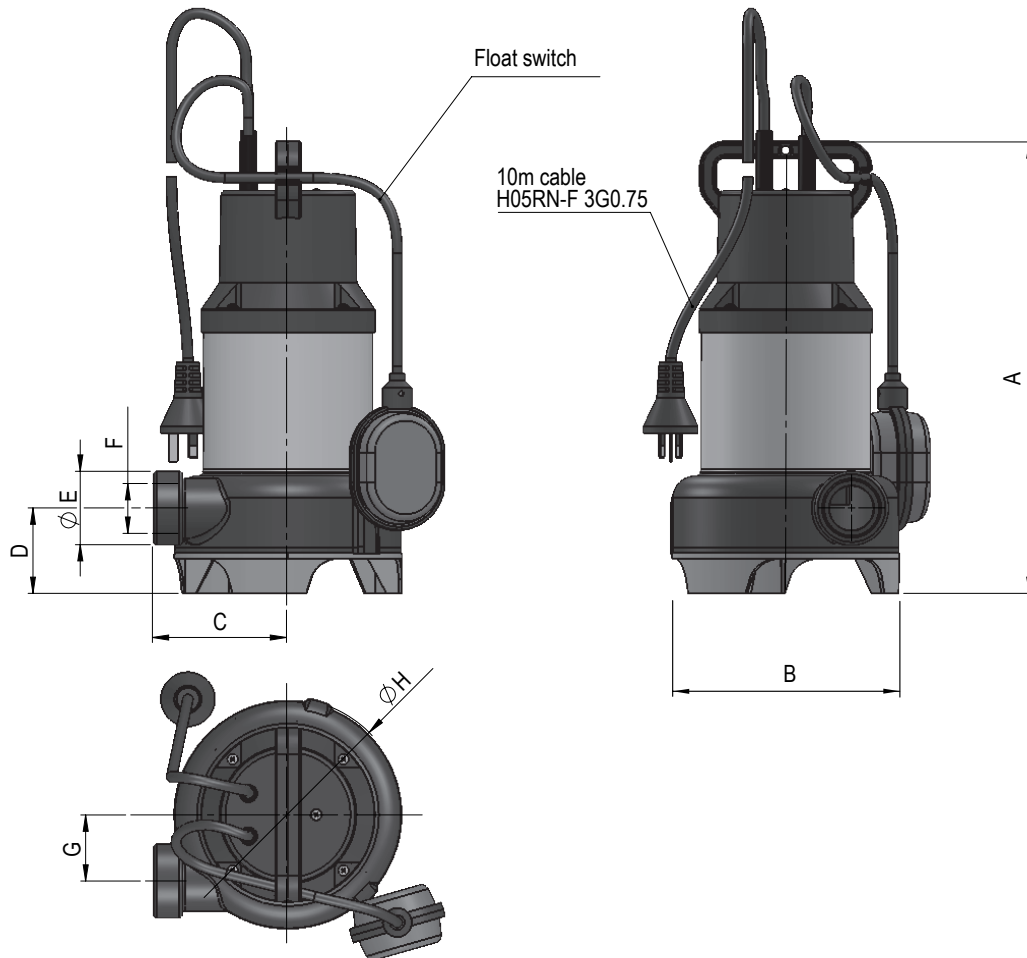


VORTEX SUMP PUMP RVE230

TYPE	Nominal Power (P2)		Input Power (P1)	Input Current (A)
	W	HP	W	240V
RVE230	600	0.87	650	2.9

L/MIN	0	50	100	150	200	250
HEAD (M)	8.4	7.2	6.2	4.5	2	0

DIMENSIONS & WEIGHT



VORTEX SUMP PUMP RVE230

MODEL	DIMENSIONS (MM)								PACKING (MM)			WEIGHT (KG)
	A	B	C	D	E	F	G	H	L	W	H	
RVE230	320	160	95	60	Ø52	1¼"	47	Ø168	160	190	325	5